

# Sensor/actuator box - SACB- 8/3-L- 5,0PUR-M8 HD



1197232

<https://www.phoenixcontact.com/us/products/1197232>

Please be informed that the data shown in this PDF document is generated from our Online Catalog. Please find the complete data in the user documentation. Our General Terms of Use for Downloads are valid.



Sensor/actuator box, application: Standard, connection method: M8 socket Metal, number of slots: 8, number of positions: 3, coding: A - standard, slot assignment: single, status display: yes, pnp; master cable connection: Fixed connection 180°, PUR/PVC, cable length: 5 m, shielding: no

## Your advantages

- Safety in the field, thanks to molded housing and high degree of protection
- Convenient: increased machine availability thanks to quick and easy diagnostics

## Commercial Data

Item number	1197232
Packing unit	1 pc
Minimum order quantity	1 pc
Sales Key	B08
Product Key	BF3BCA
GTIN	4063151256340
Weight per Piece (including packing)	620 g
Weight per Piece (excluding packing)	600 g
Customs tariff number	85444290
Country of origin	DE

# Sensor/actuator box - SACB- 8/3-L- 5,0PUR-M8 HD



1197232

<https://www.phoenixcontact.com/us/products/1197232>

## Technical Data

### Notes

Assembly instruction:	<b>NOTE:</b> Observe the permissible bending radii when laying conductors, since the degree of protection may be put in jeopardy if the bending forces are too high. Alleviate mechanical loads upstream of the connector, e.g. by using cable ties.
Note on application	Unused slots are to be sealed off prior to commissioning. Suitable sealing elements are to be found under "Accessories".

### Product properties

Product type	Distributor boxes with M8 to M12 slots
Number of positions	3
Application	Standard
Number of slots	8
Coding	A - standard

### Material specifications

Color	black
Material of threaded sleeve	Cu alloy
Material of threaded sleeve surface	Nickel-plated
Contact material	CuZn
Contact surface material	Ni/Au
Contact carrier material	PBT
O-ring material	FKM
Material of the moulding mass	PUR
Housing material	PBT

### Dimensions

Dimensional drawing	
Width	30 mm
Height	20 mm
Length	129.5 mm

### Connection data

#### Pin assignment

Slot/position = Wire color or connection	1 / 4 (A) = WH
	2 / 4 (A) = GN

# Sensor/actuator box - SACB- 8/3-L- 5,0PUR-M8 HD



1197232

<https://www.phoenixcontact.com/us/products/1197232>

	3 / 4 (A) = YE
	4 / 4 (A) = GY
	5 / 4 (A) = PK
	6 / 4 (A) = RD
	7 / 4 (A) = BK
	8 / 4 (A) = VT
	1-8 / 1 (+ 24 V) = BN
	1-8 / 3 (0 V) = BU

## LED signaling

Status display present	yes
------------------------	-----

## Electrical properties

Max. operating voltage $U_{max}$	30 V DC
Local diagnostics	Supply voltage Green LED
	Status display I/O Yellow LED
Nominal voltage $U_N$	24 V DC
Rated current, total	6 A
Max. current carrying capacity per path	2 A
Current carrying capacity per slot	2 A

## Cable / line

Cable length	5 m
Cable weight	92 kg/km
UL AWM Style	20549
Number of positions	10
Shielded	no
Cable type	PUR/PVC black [PUR]
Conductor structure signal line	19x 0.15 mm
AWG signal line	22
Conductor cross section	8x 0.34 mm <sup>2</sup> (Signal line)
	2x 0.75 mm <sup>2</sup> (power line)
Wire diameter incl. insulation	1.3 mm ±0.1 mm (Signal line)
	1.8 mm ±0.1 mm (power line)
External cable diameter	7.9 mm ±0.2 mm
Outer sheath, material	PUR
External sheath, color	black RAL 9005
Conductor material	Bare Cu litz wires
Material wire insulation	PVC
Single wire, color	brown, blue, white, green, yellow, gray, pink, red, black, violet
Inner sheath thickness	≥ 0.15 mm
Thickness, outer sheath	≥ 0.38 mm
Overall twist	Wires twisted in layers
Nominal voltage, cable	300 V

# Sensor/actuator box - SACB- 8/3-L- 5,0PUR-M8 HD



1197232

<https://www.phoenixcontact.com/us/products/1197232>

Test voltage	2000 V
Minimum bending radius, fixed installation	7.5 x D
Minimum bending radius, flexible installation	10 x D
Max. bending cycles	1500000
Flame resistance	DIN EN 50265
Resistance to oil	according to VDE 0472 Part 803
Other resistance	Highly resistant to acids, alkaline solutions and solvents
Special properties	Silicone-free
Ambient temperature (operation)	-40 °C ... 90 °C (cable, fixed installation) -5 °C ... 80 °C (Cable, flexible installation) 80 °C (in acc. with UL)
Cable type	Master cable suitable for flexible cable conduit
Sensor/actuator connection system	M8 socket
Connection method	Fixed connection
Tightening torque slot sensor/actuator cable	0.2 Nm

## Standards and regulations

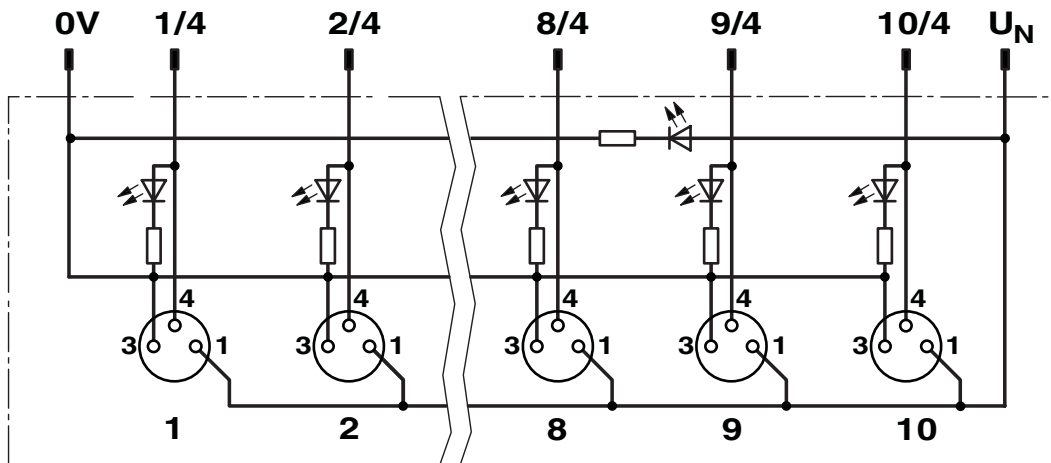
Standards/specifications	IEC 61076-2-104
--------------------------	-----------------

## Ambient conditions

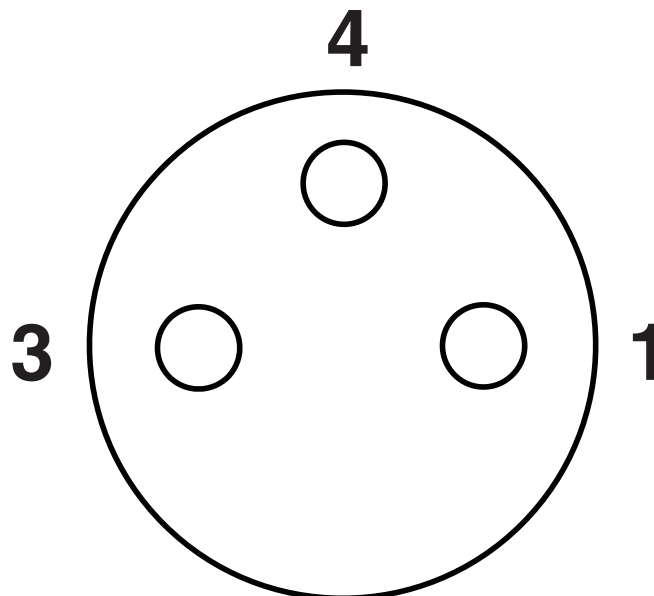
Degree of protection	IP67
Ambient temperature (operation)	-25 °C ... 80 °C

## Drawings

Circuit diagram



Schematic diagram



M8 slot, socket, 3-pos.

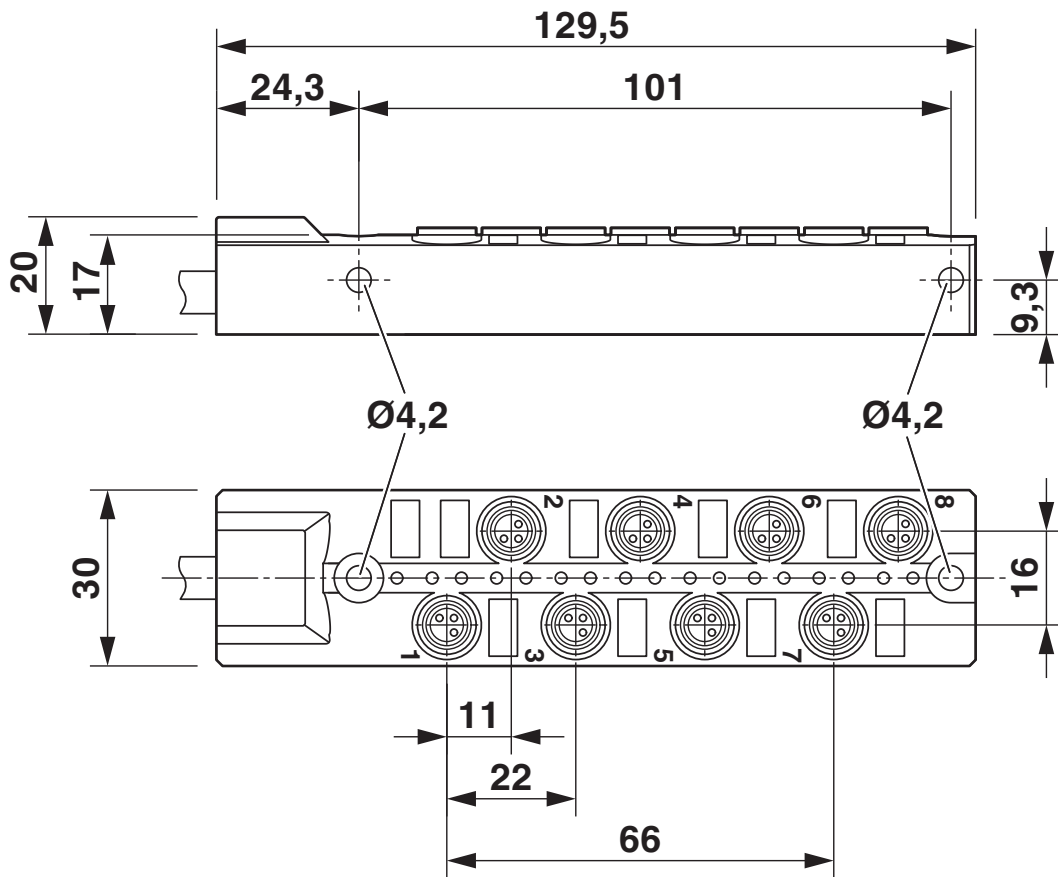
# Sensor/actuator box - SACB- 8/3-L- 5,0PUR-M8 HD



1197232

<https://www.phoenixcontact.com/us/products/1197232>

Dimensional drawing



# Sensor/actuator box - SACB- 8/3-L- 5,0PUR-M8 HD



1197232

<https://www.phoenixcontact.com/us/products/1197232>

## Approvals



**cUL Recognized**  
Approval ID: E238705



**UL Recognized**  
Approval ID: E238705

**cULus Recognized**

# Sensor/actuator box - SACB- 8/3-L- 5,0PUR-M8 HD



1197232

<https://www.phoenixcontact.com/us/products/1197232>

## Classifications

### ECLASS

ECLASS-9.0	27440108
ECLASS-11.0	27440108
ECLASS-10.0.1	27440108

### ETIM

ETIM 8.0	EC002585
----------	----------

### UNSPSC

UNSPSC 21.0	31251500
-------------	----------

# Sensor/actuator box - SACB- 8/3-L- 5,0PUR-M8 HD



1197232

<https://www.phoenixcontact.com/us/products/1197232>

## Environmental Product Compliance

China RoHS	Environmentally friendly use period: unlimited = EFUP-e
	No hazardous substances above threshold values

# Sensor/actuator box - SACB- 8/3-L- 5,0PUR-M8 HD



1197232

<https://www.phoenixcontact.com/us/products/1197232>

## Accessories

### Stripping tool

Stripping tool - WIREFOX-D 40 - 1212161

<https://www.phoenixcontact.com/us/products/1212161>



**Stripping tool**, for stripping cables of 4.5 mm - 40 mm-Ø, insulation thickness of up to 4.5 mm, pivoting blade for round, lengthwise, and spiral cuts

### Stripping tool

Stripping tool - WIREFOX-D 11 - 1212160

<https://www.phoenixcontact.com/us/products/1212160>



**Stripping tool**, for stripping multicore signal, control and fiberglass wires of Ø 2.5 - 11 mm. Insulation thickness up to 1 mm

# Sensor/actuator box - SACB- 8/3-L- 5,0PUR-M8 HD

1197232

<https://www.phoenixcontact.com/us/products/1197232>

## Stripping tool

Stripping tool - WIREFOX-D 13 - 1212162

<https://www.phoenixcontact.com/us/products/1212162>



Stripping tool, for stripping installation lines of  $\varnothing$  8 - 13 mm , e.g. NYM 3 x 1.5 mm<sup>2</sup> to 5 x 2.5 mm<sup>2</sup>, single line stripping 0.2 mm<sup>2</sup> - 4 mm<sup>2</sup> , with longitudinal cut blade and sliding knife

---

## Stripping tool

Stripping tool - WIREFOX-MP VDE - 1212528

<https://www.phoenixcontact.com/us/products/1212528>



Multifunction stripping tool, for removing the jacket from cables with a diameter of 8 to 13 mm, for stripping cables with a cross section of 0.2 to 10 mm<sup>2</sup>, with full-fledged diagonal cutter, VDE 1000 V AC/1500 V DC tested

# Sensor/actuator box - SACB- 8/3-L- 5,0PUR-M8 HD



1197232

<https://www.phoenixcontact.com/us/products/1197232>

## Stripping tool

Stripping tool - WIREFOX 2,5 - 1212368

<https://www.phoenixcontact.com/us/products/1212368>



Stripping tool, for conductors and cables with a conductor cross section from 0.08 to 2.5 mm, self-adjusting, stripping length adjustable up to 15 mm, cutting capacity up to 6 mm<sup>2</sup> stranded/1.5 mm<sup>2</sup> solid

---

## Screw plug

Screw plug - PROT-M8 - 1682540

<https://www.phoenixcontact.com/us/products/1682540>



An M8 screw plug for the unoccupied M8 sockets of the sensor/actuator cable, boxes and flush-type connectors

# Sensor/actuator box - SACB- 8/3-L- 5,0PUR-M8 HD



1197232

<https://www.phoenixcontact.com/us/products/1197232>

## Torque screwdriver

Torque screwdriver - TSD 02 SAC - 1208487

<https://www.phoenixcontact.com/us/products/1208487>



Torque screwdriver, with preset torque of 0.2 Nm and 4 mm hexagonal drive for M8 connectors

---

## Tool

Tool - SAC BIT M8-D10 - 1208461

<https://www.phoenixcontact.com/us/products/1208461>



Nut for assembling M8 connectors with longitudinal knurl and a knurl diameter of 10 mm, for 4 mm hexagonal drive

# Sensor/actuator box - SACB- 8/3-L- 5,0PUR-M8 HD



1197232

<https://www.phoenixcontact.com/us/products/1197232>

## Tool

Tool - SACC BIT M8-D12 - 1208474

<https://www.phoenixcontact.com/us/products/1208474>



Nut for assembling M8 connectors with longitudinal knurl and a knurl diameter of 12 mm, for 4 mm hexagonal drive

---

## Marker for terminal blocks

Marker for terminal blocks - UCT1U-TM 5 - 0803204

<https://www.phoenixcontact.com/us/products/0803204>



UniCard materials for thermal transfer printers, for marking terminal blocks from Weidmüller, Conta Clip, and Klemsan, 72-section, offset foot, can be marked with THERMOMARK CARD and BLUEMARK, color: white

# Sensor/actuator box - SACB- 8/3-L- 5,0PUR-M8 HD



1197232

<https://www.phoenixcontact.com/us/products/1197232>

## Marker for terminal blocks

Marker for terminal blocks - UCT1U-TM 5 CUS - 8191012

<https://www.phoenixcontact.com/us/products/8191012>

Markers for terminal blocks, for marking terminal blocks from Weidmüller, Conta Clip, and Klemsan, 72-section, offset foot, can be ordered in sheet form, marked according to customer specifications, color: white



---

Phoenix Contact 2022 © - all rights reserved

<https://www.phoenixcontact.com>

Phoenix Contact USA  
586 Fulling Mill Road  
Middletown, PA 17057, United States  
(+717) 944-1300  
[info@phoenixcon.com](mailto:info@phoenixcon.com)